

**FK GROUP SPA**

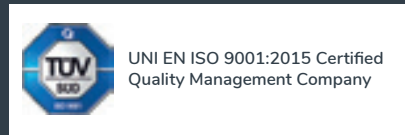
Via Friuli, 21  
24044 Dalmine (BG) - Italy  
Tel. +39 035 565633

**Sales Dept.**

commercial@fkgroup.com  
Tel. +39 035 565633  
Fax +39 035 564445

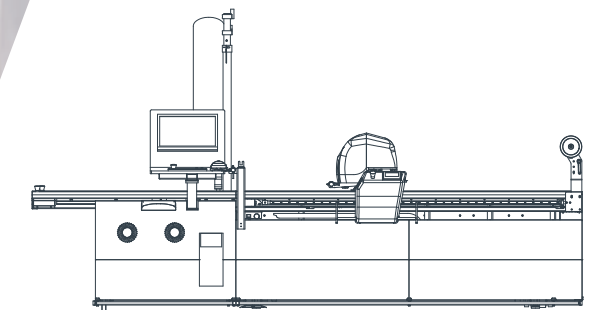
**Customer Service**

customer.service@fkgroup.com  
Tel. +39 035 566647  
Fax +39 035 564445



www.fkgroup.com  
fkgroup@fkgroup.com

06/2021



Freccia  
Cutting System



# Freccia

Ideal solution for small or medium productions. Freccia is the **automatic conveyor cutting system** for mattresses up to 2.5 cm. Its strengths are:

- low energy consumption;
- ease of use;
- reliability.

The innovative **4 kW double turbine system** reduces consumption to 4.9 kW. The system ensures reduced noise thanks to the 2 turbines with reduced frequency revolutions. The double impeller allows for **more efficient suction**.

The **Just Cut control software** allows to set and modify the cutting parameters in a fast, intuitive and safe way.

The **technical assistance** service, by telephone or via the web, allows the operator to work in complete peace of mind. Like having a specialized technician at your side who supports you for any doubt or inconvenience at all time.

The QRV (Quick Release Valve) system allows lightning-fast advances of the cutting belt, drastically reducing production times, especially in the presence of long set-ups.

The machine is equipped with Fanuc electronics. It is available in **3 versions** to suit all work needs.

- Standard 4kW double turbine (total length of the machine 4.80mt);
- Upgrade with 5.5kW double turbine (total machine length 4.80mt);
- Short with single 11kW turbine (length 3.67mt).

## OPTIONAL

Freccia boasts various optional solutions that allow it to meet particular technical needs and respond to sector certifications:

- LG 32" 16:9 Ultra HD 4K Design Ultra Slim Monitor;
- ISO 5011 **certification** on air quality;
- TÜV **certification** of MEP systems on reduced consumption;
- Tool Iso - Manipulator of ISO file "Tool" modifies placements (position of figures, notches, holes).



Average energy consumption starting from 4,9kW



Industry 4.0  
READY

## N° 2 TURBINES OF 4 kW OR 5.5 kW

Working Area (cm)	180 x 180	200 x 180	220 x 180
Overall dimensions L x W x H (cm)	480 x 284 x 214	480 x 304 x 214	480 x 324 x 214
Weight (Kg)	2300	2450	2750
Installed Power (kW)	14		
Average Consumption (kW)	4,9	4,9	6
Power supply Tension	400V±10%		
Max compressed lay height (cm)	2,5		

## N° 1 11 kW TURBINE (unloading table without overhang)

Working Area (cm)	180 x 180	200 x 180	220 x 180
Overall dimensions L x W x H (cm)	367 x 284 x 214	367 x 304 x 214	367 x 324 x 214
Weight (Kg)	2200	2350	2650
Installed Power (kW)	14		
Average Consumption (kW)	4,9	4,9	6
Power supply Tension	400V±10%		
Max compressed lay height (cm)	2,5		

With the aim of improving its machinery FKgroup reserve the right to change the technical characteristics without prior notice.

Freccia average noise level 72 dB



Single or double drilling device with temperature control.

