



## FK GROUP SPA

Via Friuli, 21  
24044 Dalmine (BG) - Italy  
Tel. +39 035 565633

### *Sales Dept.*

commercial@fkgroup.com  
Tel. +39 035 565633  
Fax +39 035 564445

### *Customer Service*

customer.service@fkgroup.com  
Tel. +39 035 566647  
Fax +39 035 564445



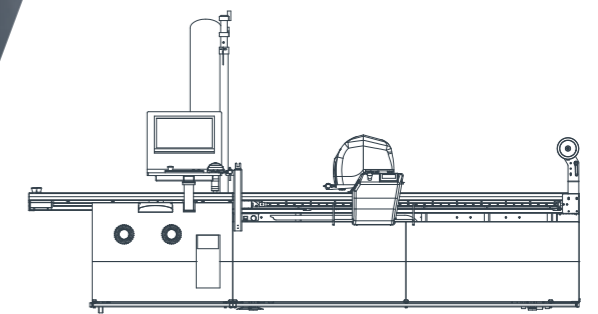
UNI EN ISO 9001:2015 Certified  
Quality Management Company

www.fkgroup.com  
fkgroup@fkgroup.com

09/2019



*Tecno  
Freccia*



Tecno Freccia Cutting System



Made in Italy  

# Tecno Freccia

Award winning design automatic cutting system Conveyor type for Single Ply and lays up to 2.5cm compressed height. One machine, multiple functions: Versatile -- Accurate -- Fast -- Efficient. **Tecno Freccia** is the ideal solution from small to medium productions able to cut: PVC, Fibreglass, Carbon Fibre, Medical rays protection fibres, Laminated Fabrics, Foam, Wadding, Rubber, Wall and Pipe Insulation, Polyurethane Fibre, Nylon, Kevlar. Ideal for following industries: Building construction, Automotive, Boating, Aeronautical, Furniture, Leisure Accessories, Defence, Protective Clothing.

**JUST CUT:** the simple and intuitive Software makes all cutting parameters setting fast and safe. The compact and refined styling makes it perfect for any work environment. To complete all the characteristics that make Tecno Freccia unique, there is the remote technical assistance, also via Web, that ensures just in time total and constant support, thus allowing working in complete peace of mind.

**No Stop Cutting system** involving two alternative methods: Continuous Cutting software to enhance cutting while advancing, Quick Release Vacuum suitable for high ply cutting (optional).

Average power consumption 5.6kW



Industry 4.0  
READY

Working Area (cm)	180 x 180	200 x 180	250 x 180	320 x 180	200 x 240	250 x 240	320 X 240
Overall dimensions L x W x H (cm)	405,9 x 283,6 x 214	405,9 x 303,6 x 214	405,9 x 353,6 x 214	405,9 x 360,6 x 214	525,9 x 303,6 x 214	525,9 x 353,6 x 214	525,9 x 360,6 x 214
Weight (Kg)	2200	2350	2650	3290	2950	3250	3890
Installed Power (kW)	14						
Average Consumption (kW)	5	5	6	7	6	7	7,5
Power supply Tension	400V±10%						
Max compressed lay height (cm)	2,5						

With the aim of improving its machinery FKgroup reserve the right to change the technical characteristics without prior notice.



### Tools and cutting head options

- Oscillating Knife 1.5mm x 6mm;
- Drag Knife;
- Milling tool device;
- Refillable tool pen;
- Single or double drilling device with variable heat control.

**Optional:** Direct import DXF,DWG files; Plastic re-cover vacuum saving; Motorized Transfer system; Labelling system; Laser single and double projectors.

**Specifications:** Dust vacuum filter; Polythene bar supports; Operator safety light indicator; Eco-Power 5.6kW; JUST CUT software with ISO and HPGL files direct import and Tool; Wi-fi pre set; Bar code reader.Camera operator support and remote maintenance.

